

SMD POWER INDUCTORS- SDB1004 SERIES

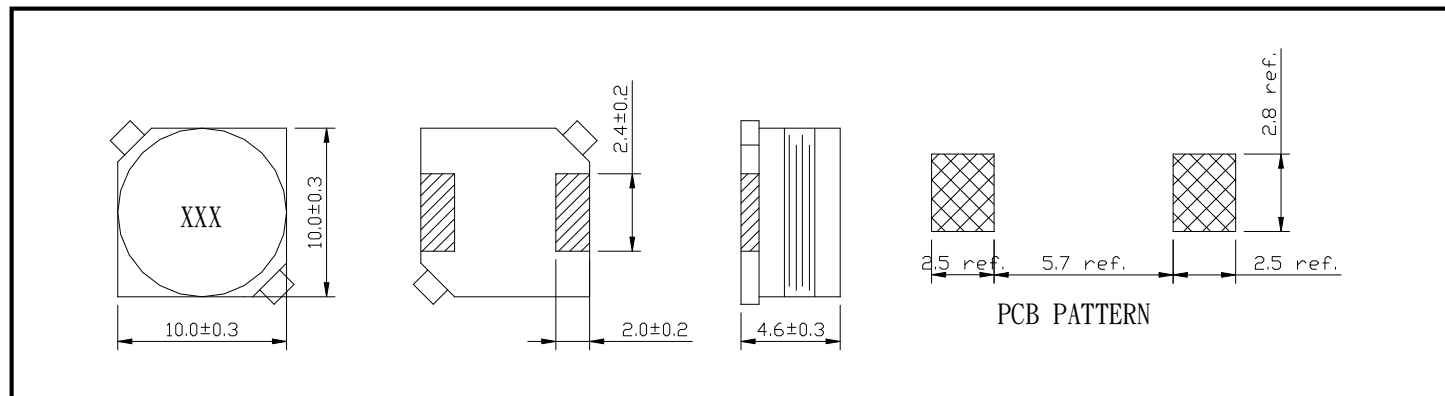


PART NUMBERING SYSTEM

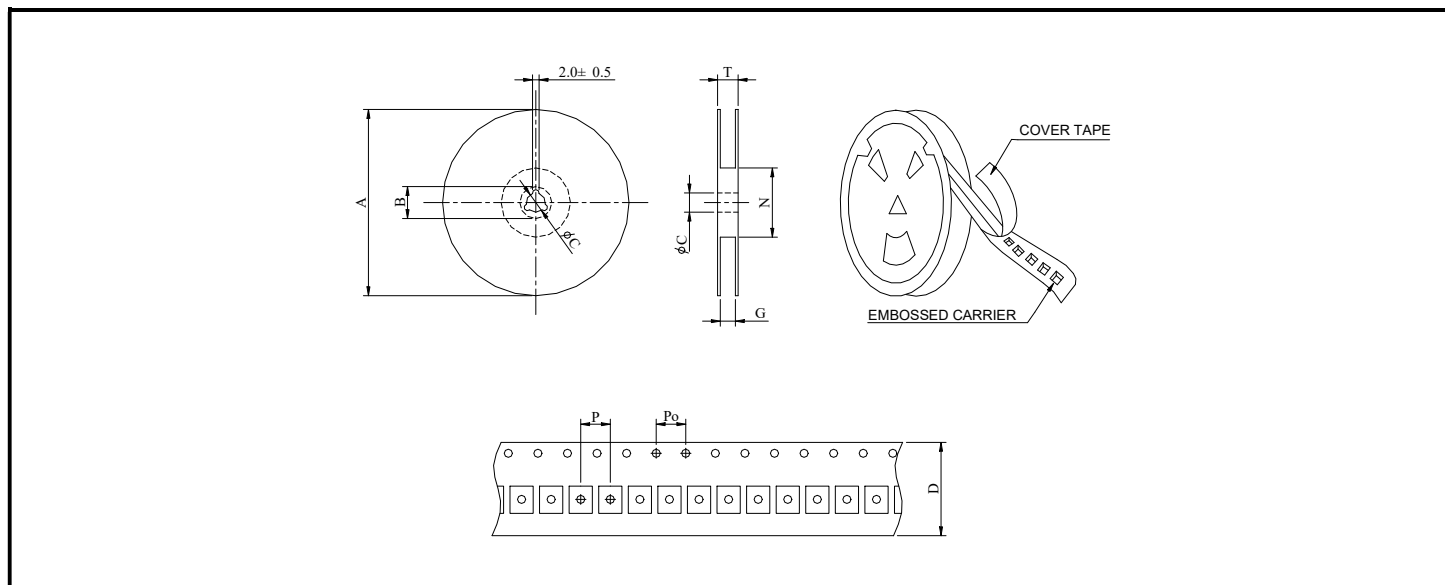
SDB	1004	—	100M	—	LF
TYPE	DIMENSIONS		INDUCTANCE		LEAD FREE

SHAPES AND DIMENSIONS

UNIT : mm



PACKAGING SPECIFICATION



SERIES	STAYLE	Q'TY (PCS)	DIMENSIONS (m/m)								
			A	B±0.8	C±0.5	D	G ⁺	N ⁰	P	Po	T
SDB1004	13-24	600	330	21	13	24	26	50	16	4	30.4

SPECIFICATION TABLE

PART NUMBER	INDUCTANCE (μ H)	DCR (Ω) (Max.)	IDC (A) (Max.)	TEST FREQ. (Freq.)
SDB1004-1R8M-LF	1.8 \pm 20%	0.023	5.50	100KHz
SDB1004-2R7M-LF	2.7 \pm 20%	0.025	5.00	100KHz
SDB1004-3R9M-LF	3.9 \pm 20%	0.030	4.50	100KHz
SDB1004-4R7M-LF	4.7 \pm 20%	0.035	4.00	100KHz
SDB1004-6R8M-LF	6.8 \pm 20%	0.040	3.80	100KHz
SDB1004-100M-LF	10 \pm 20%	0.050	3.30	100KHz
SDB1004-120M-LF	12 \pm 20%	0.055	3.20	100KHz
SDB1004-150M-LF	15 \pm 20%	0.065	3.00	100KHz
SDB1004-220M-LF	22 \pm 20%	0.080	2.60	100KHz
SDB1004-330M-LF	33 \pm 20%	0.110	2.00	100KHz
SDB1004-470M-LF	47 \pm 20%	0.130	1.80	100KHz
SDB1004-680M-LF	68 \pm 20%	0.210	1.40	100KHz
SDB1004-820M-LF	82 \pm 20%	0.240	1.30	100KHz
SDB1004-101M-LF	100 \pm 20%	0.290	1.20	100KHz
SDB1004-151M-LF	150 \pm 20%	0.470	1.00	100KHz
SDB1004-221M-LF	220 \pm 20%	0.730	0.80	100KHz
SDB1004-331M-LF	330 \pm 20%	0.990	0.65	100KHz
SDB1004-471M-LF	470 \pm 20%	1.250	0.55	100KHz
SDB1004-681M-LF	680 \pm 20%	1.800	0.45	100KHz
SDB1004-102M-LF	1000 \pm 20%	2.800	0.38	100KHz

- DC current at which the inductance drops 10% (typ) from its value without current.
- Operating temperature range -40°C to +125°C.
- Electrical specifications at 25°C.
- Product comply with RoHS and REACH requirements
- Halogen free available
- Moisture sensitivity Level 1 (MSL 1)
- Custom versions available
- Flat top for reliable surface mounting
- Suitable for Input/output of DC/DC converters
- Power supplies for portable communication equipment / Camcorders / LCD TVs